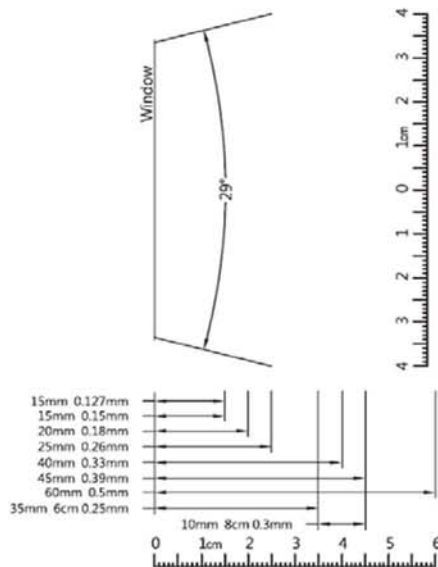
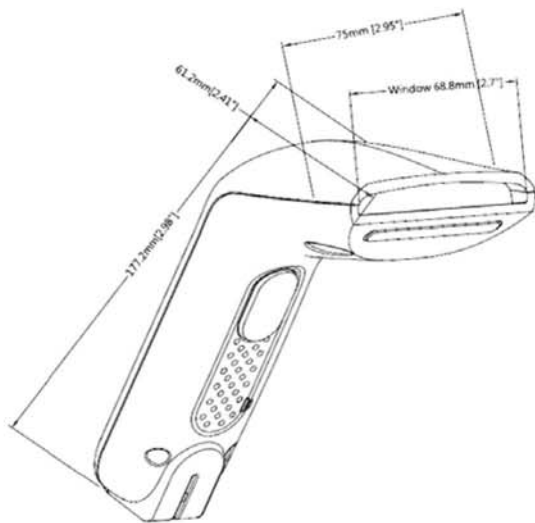


SD-100 Barcode Scanner



Features

- Economical and durable
- Ergonomic design
- Easy to use and configure
- Complete data formatting and editing capabilities
- Extensive connectivity
- Reads most commonly used bar code symbologies

Specification

Physical Characteristics

Length	179.7 mm
Width	81 mm
Height	63.5 mm
Weight	Approximately 4.23 oz. (120 g) (w/o cable)
Width Of Window	60 mm
Housing Material	ABS

Electrical

Voltage	DC +5V \pm 5%
Power Consumption	80mA
EMC	FCC Part 15 Class B, EN55022, EN55024

Operational

Light Source	Visible red light 632nm LED
Interfaces	RS232, KBW, USB
Cable	Straight 5 ft.
Connector	RJ45 phone jack connector
Reading Indicator	Beeper

Environmental

Operating Temp	0 °C to 50 °C (32 °F to 122 °F)
Storage Temp	-20 °C to 70 °C (-4 °F to 158 °F)
Relative Humidity	20% to 95% (Non-Condensing)
Drop	40 inch (100cm) drop on concrete surface
Ambient Light	5000 Lux Max.

Scan Performance

Depth of Field	60mm@20mil/0.5mm, PCS90% (Contact type)
Scan Rate	100 scans/sec
Resolution	5mil/0.127mm@PCS90%

Readable Symbologies

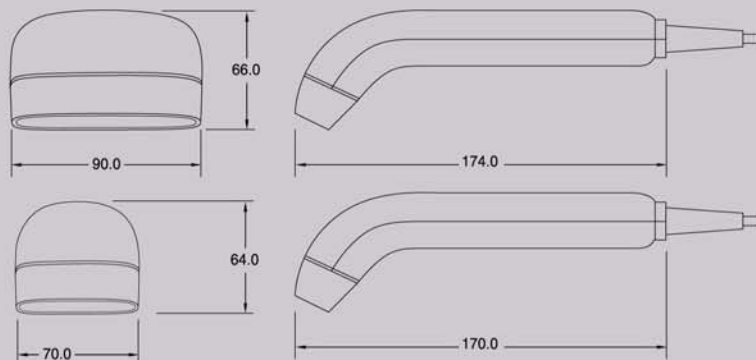
GS1 DataBar, UPC / EAN / JAN, Code 39, EAN128, Full ASCII, Code 128, Inteleave 25, Martrix 25, CODABAR / NW7, Code11, MSI / PLESSEY, Code93, China Postage, Code 32 / Italian Phammacy

傳勝科技有限公司

<http://www.dwin.com.tw>

SDseries Smart2Scanner

Contact Type



ORDERING INFORMATION

The Following Coding Rule
Is Reference For Constructing Part No.

SD ● ■ ▲ ★

- Model No. 2 : 200 Series
3 : 300 Series
- Customize 0 : Champtek
- ▲ Interface 0 : TTL
3 : RS232/KBW/USB
/Wand Emulation
- ★ Connector Type 01 : Din 5P Cable
07 : MD 6P Cable
08 : USB
10 : DB 9P Cable
14 : DB 9P+DC Cable

SD200series

SD300series

GENERAL

Interface Code Read

TTL, Keyboard, RS232 Interface, Wand Emulation & USB
UPC/EAN/JAN & Addon 2/5, Code 39, Code 39 Full ASCII, Code 11,
Interleave 25, Industrial 25, Matrix 25, Code 128, Codabar/NW7, Code 93
MSI/PLESSEY, Code 32, China Postage
User's Manual or by Software Download

Programming

OPTICAL

Width of Window Depth of Field Light Source Resolution Scan Speed Ambient Light

62 mm
20mm / 20 mil code width
Red LED 660 nm
0.1 mm (4 mil)
100 Scans
1000 lux (Sunlight)

80 mm
20mm / 20 mil code width
Red LED 660 nm
0.1 mm (4 mil)
100 Scans per Second
1000 lux Max. (Sunlight)

ELECTRICAL

Voltage Power Consumption Reading Indicator

DC 5V 5%
Current 130 mA
Beeper & LED

DC +5V 5%
Current 130 mA
Beeper & LED

ENVIRONMENT

Operating Temperature Storage Temperature Relative Humidity

0°C to 40°C (32°F to 104°F)
-20°C to 60°C (-4°F to 140°F)
20% to 85% (Non-condensing)

0°C to 40°C (32°F to 104°F)
-20°C to 60°C (-4°F to 140°F)
20% to 85% (Non-condensing)

PHYSICAL

Housing Material Cable Connector Weight Dimension

ABS Plastic & Rubber
Straight, 5 ft.
RJ-45 Phone Jack Connector
Approx. 150g
174 mm x 90 mm x 66 mm

ABS Plastic & Rubber
Straight, 5 ft.
RJ-45 Phone Jack Connector
Approx. 150g
170 mm x 70 mm x 64 mm

傳勝科技有限公司

<http://www.dwin.com.tw>